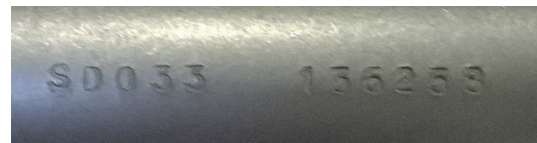
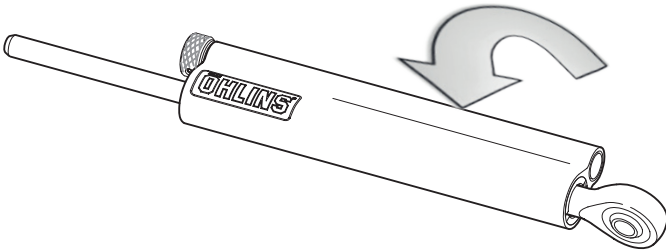
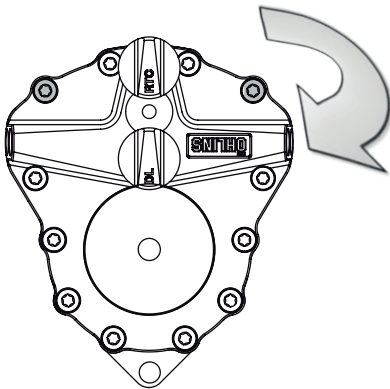


Where to find the article number, here is an overview.

steering damper Road & Track

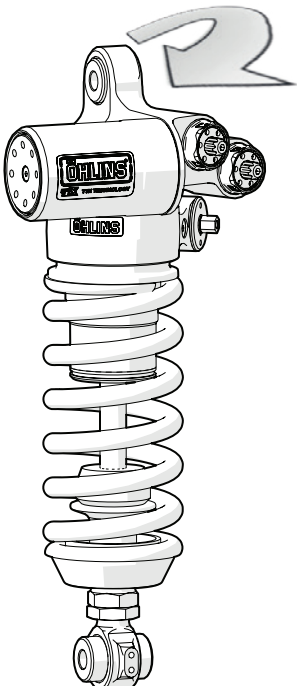


steering damper MX



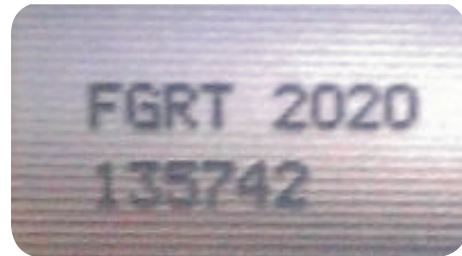
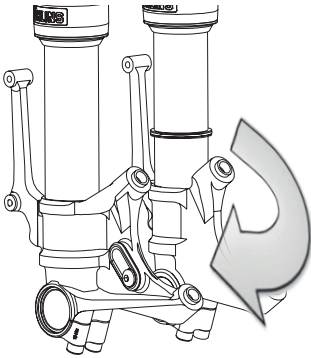
The part number is on the backside of the damper, as well as the production number.

shock absorber Road & Track



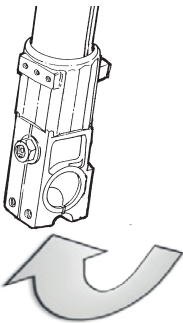
The part number is on the „head“ of the shock, the production number on the opposite side.

front fork Road & Track



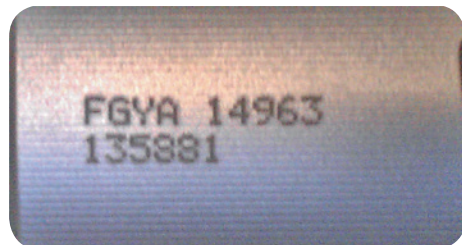
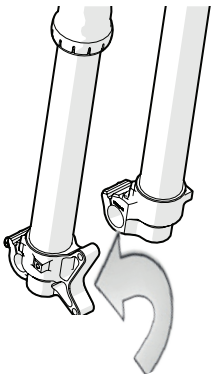
The part number is on the inside of the fork bottom.

Universal front fork



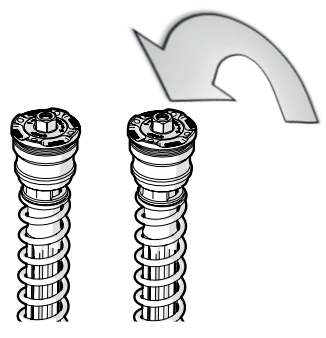
The part number is under the fork bottom.

front fork MX & Enduro



The part number is on the inside of the fork bottom

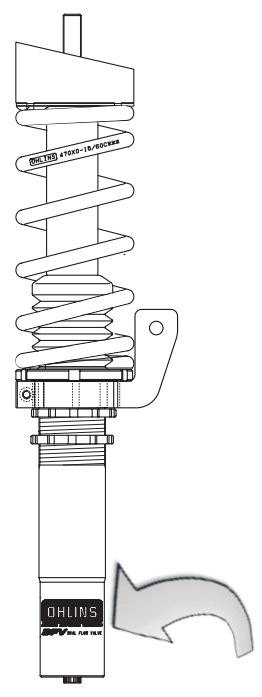
Cartridge Kit Road & Track



The part number is on the top cap.

For MX & Enduro cartridge kits the part number is on the cylinder tube of the cartridge. It can't be seen when mounted, therefore just mention the brand and bike model. Best case you send the complete front fork for service.

Road & Track shock absorber car



The part number on a sticker at the bottom of the shock absorber. It is always the number of the single shock, one number is enough to mention. Please tick the boxes near to the drawing which shocks you will send in for service.